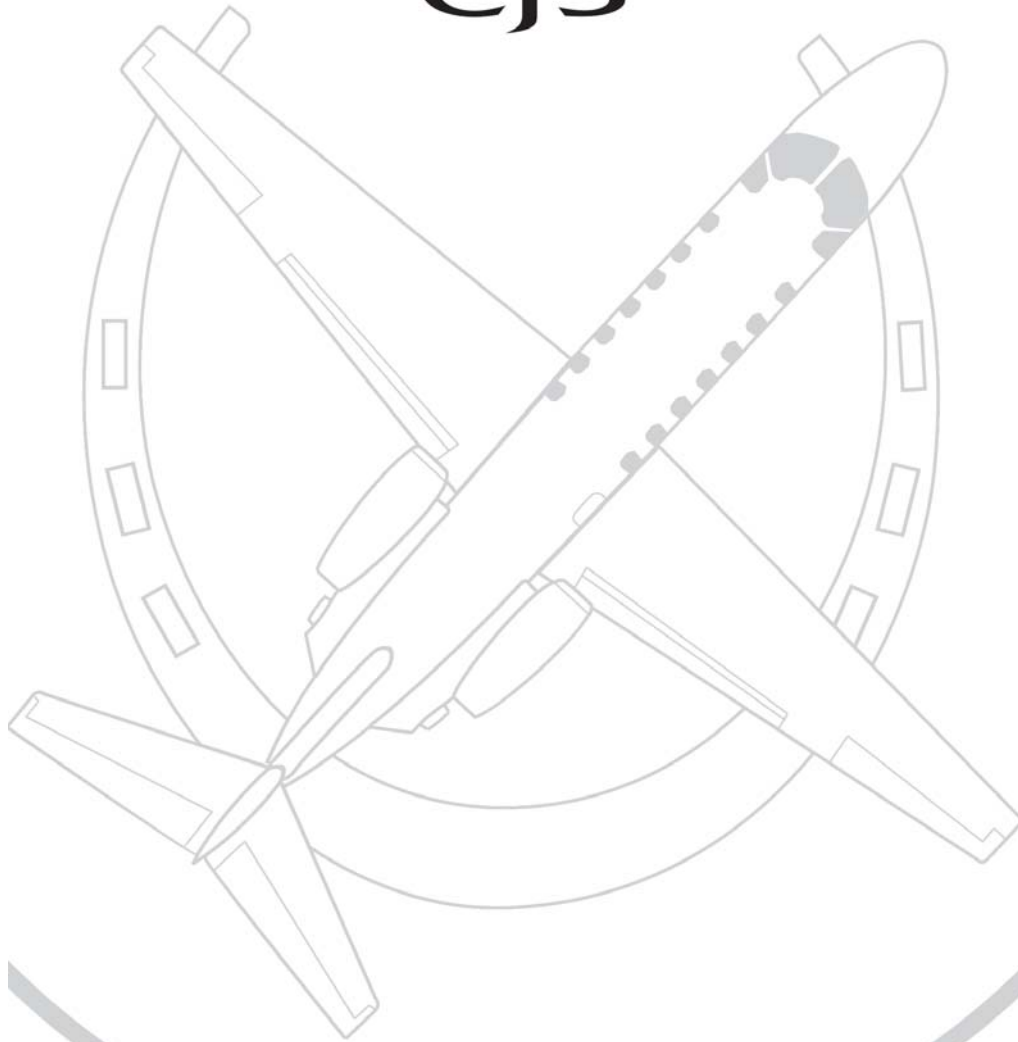


CITATION CJ3



Interior & Exterior Aircraft Specification 525B-0169 Revision A



SIGNATURE APPROVAL SHEET

REV LETTER DATE	DESCRIPTION	APPROVAL OR CONCURRENCE
Rev. A 12/01/06	Pg. 17 - Changed exterior	Original Signed By TR 12/01/06 CST EMA 12/01/06
11/13/06	Original Release	Original Signed By TR 11/13/06 CST EMA 11/13/06 DA 11/13/06

Great care is taken by the Cessna team to control the color accuracy of all interior and exterior finishing materials represented in this document. Variances in the dying process of textiles, formulations in color pigments and natural variances in fine veneers and leathers can create slight color or texture differences. This document and the color samples provided are not intended to replicate exact color matches. Sketches throughout this document are for reference only. Interior cabinetry views are intended to show approximate location of selections.

AIRCRAFT INDEX

- A.01 AIRCRAFT CERTIFICATION

- B FLIGHT DECK
- B.01 INTERIOR
- B.02 CREW SEATS
- B.03 CHART CASE / CLOSURE

- C ELECTRONICS - COMMUNICATIONS / ENTERTAINMENT
- C.01 ELECTRICAL OUTLETS
- C.02 PHONE SYSTEM
- C.03 ENTERTAINMENT

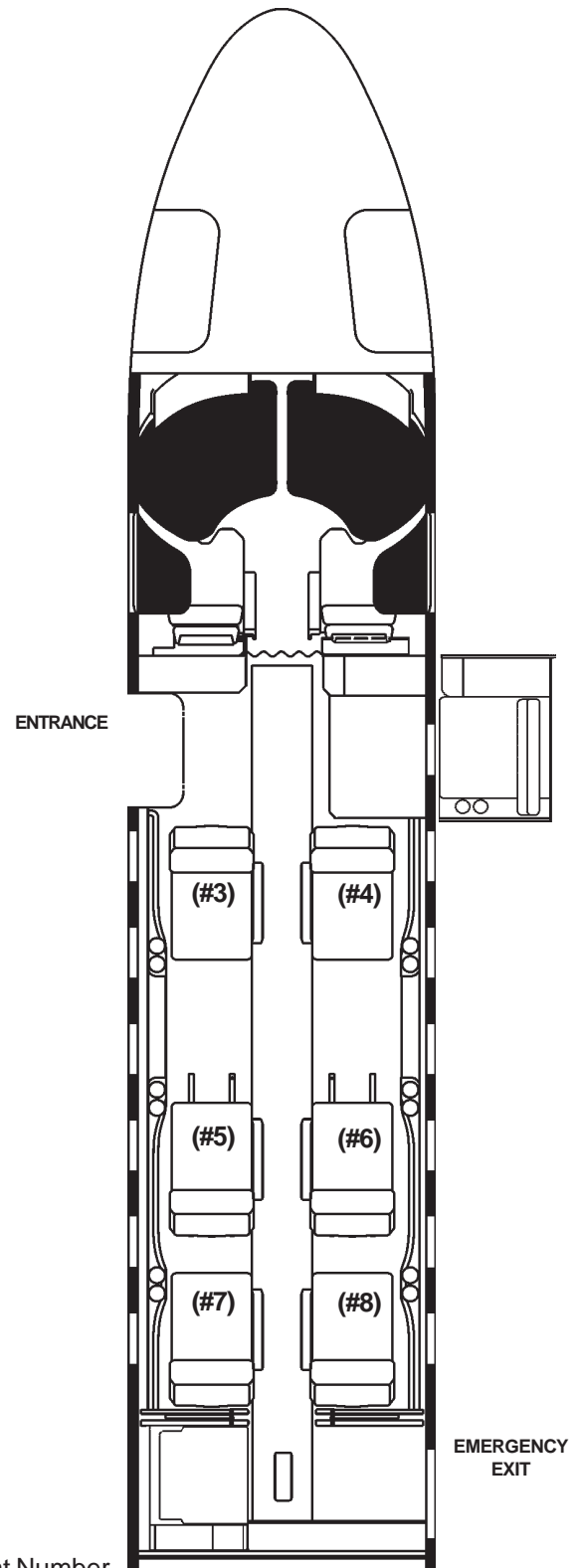
- D MAIN CABIN
- D.01 SEATING
- D.02 REFRESHMENT CENTER
- D.03 STORAGE
- D.04 SIDELEDGES / TABLES
- D.05 ADDITIONAL FURNISHINGS

- E AFT CABIN
- E.01 TOILET / CLOSURE

- F.01 MISCELLANEOUS

- G.01 LOOSE EQUIPMENT

- H.01 EXTERIOR



() Denotes Seat Number

A.01 AIRCRAFT CERTIFICATION

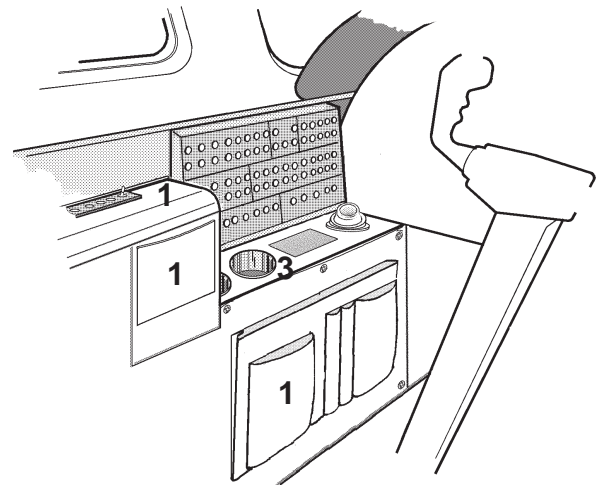
Germany (Private)

B.01 FLIGHT DECK - INTERIOR

Monorail Sunvisors

Headset Hook Installed On Pilot And Co-Pilot Aft Sidewall
(2 Ea.) (Non-Standard)

Flight Deck Pedestal Guardrail (Non-Standard)



B.02 FLIGHT DECK - CREW SEATS

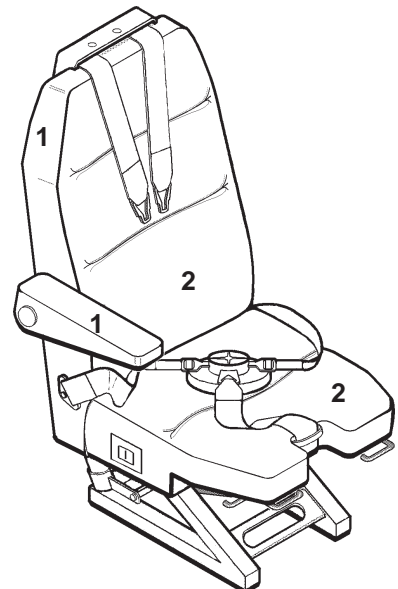
Crew Seats

- Five-Point Restraint System
- Stowable Inboard Armrest
- Fwd & Aft Tracking Lever
- Pitch Adjustment Lever
- Height Adjustment Lever
- Seat Back Pocket With Overwater Life Vest
- Independent Seat Back Recline Lever
- Independent 15 Degree Continuous Recline +/-2 Degrees
- Sewn-In Sheepskin (Non-Standard)

Pilot Seat Relief Tube (Non-Standard)

FINISHES

1. (CDC) Townsend Leather, Citation, CS-CL-605-04CT, Cloud Gray
 - Console Armrest
 - Console Sidepanel
 - Seat Armrest / Trim
2. Douglass, Sheepskin, Lt. Gray
 - Seat Material (Sewn-In)
3. Brushed Aluminum
 - Hardware Finish



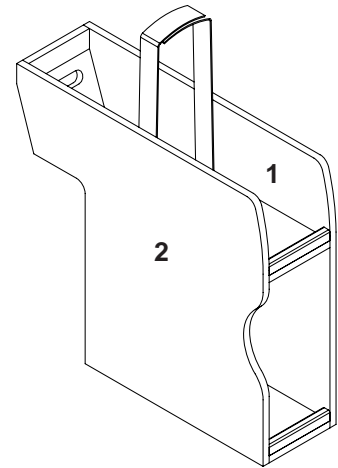
B.03 FLIGHT DECK - CHART CASE / CLOSURE

RH Two Book Navigation Chart Case

Flight Deck Closure With One-Piece, Half-Length Curtain

FINISHES

1. Wilsonart, Matte Laminate, 1595-60, Black
 - Cabinetry Interior Compartments
2. Wilsonart, Matte Laminate, 1595-60, Black
 - Cabinetry
3. (CDC) Pollack, Club Car, 5009/99, Cool Gray
 - Fwd Curtain (Not Shown)
4. Tapis, Tapisuede, 0969, Silver Cloud
 - Fwd Header (Paint To Match) (Not Shown)



C. ELECTRONICS - COMMUNICATIONS / ENTERTAINMENT

C.01 Electrical Outlets

110 VAC

- Co-Pilot's Side Console
- Lower Sidewall At Seats #5 And #6

C.02 Phone System

- Iridium Port With BNC Connector For Customer Supplied Phone In Lower Sidewall At Seat #6

C.03 Entertainment

- AvVisor Plus (Without DVD)(8.4") Cabin Information Display In LH Fwd Cabinet
- Storage For Processor And Data Outlet For Downloading In LH Fwd Cabinet

(Reference Loose Equipment Section For Entertainment Loose Equipment, If Applicable)

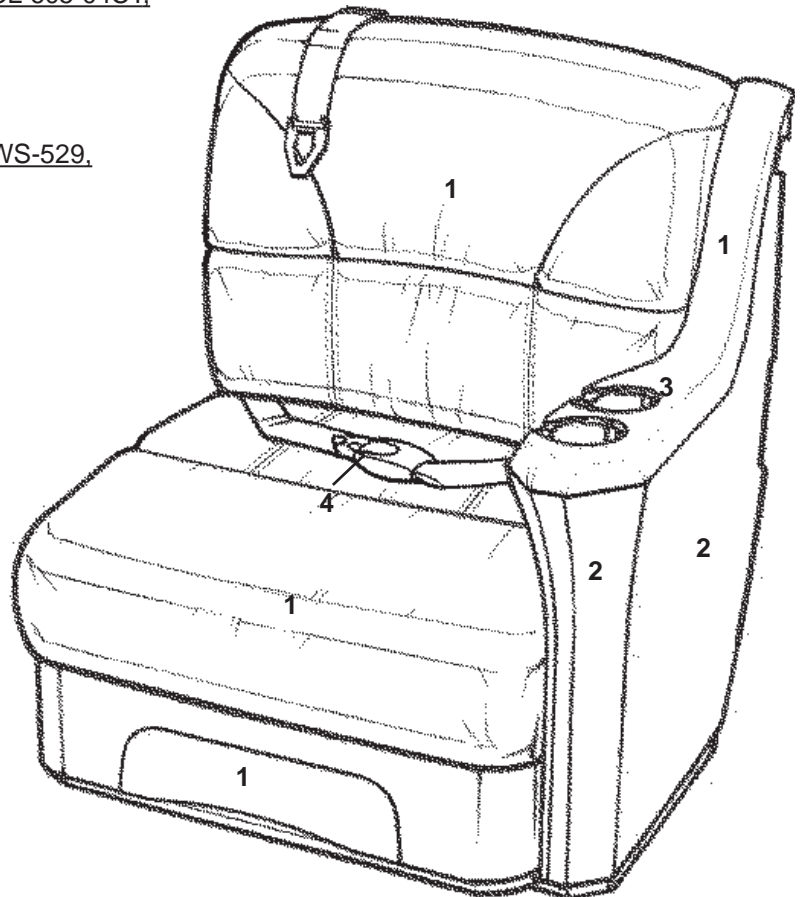
D.01 MAIN CABIN - SEATING

RH Fwd Side-Facing Seat (Non-Standard)

- Interchangeable With Aft Section Of Refreshment Center Extension (Ref: Loose Equipment)
- Pacific Tailoring
- Fireblocking
- Restraint System
- Overwater Life Vest Located In Seat Base

FINISHES

1. (CDC) Townsend Leather, Citation, CS-CL-605-04CT, Cloud Gray
 - Seat / Seat Base / Armrest Trim
 - Headrest Pillow
2. Carl Booth, High Gloss Wood Veneer, WS-529, Birdseye Maple
 - Armrest Cabinetry
3. Brushed Aluminum
 - Hardware Finish
4. Polished Chrome
 - Restraint Hardware Finish



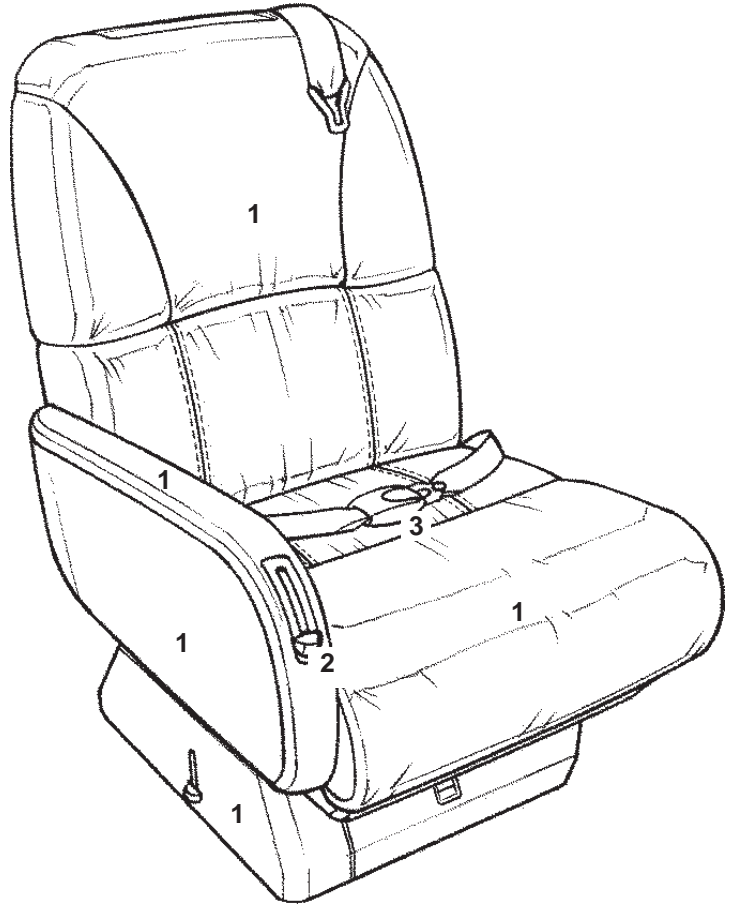
D.01 MAIN CABIN - SEATING

Passenger Seat (Non-Standard)

- Pacific Style Tailoring (Non-Standard)
- Fireblocking
- Restraint System
- Floor Tracking Passenger Seats (#5 And #6 Only)
- Seat Pedestal Tracking And Recline
- Stowable Inboard Armrest
- Overwater Life Vest Located In Seat Base
- Hidden Headrest
- Seat Back Pocket On All Seats

FINISHES

1. (CDC) Townsend Leather, Citation, CS-CL-605-04CT, Cloud Gray
 - Seat / Seat Trim
 - Headrest Pillow
2. Brushed Aluminum
 - Hardware Finish
3. Polished Chrome
 - Restraint Hardware Finish



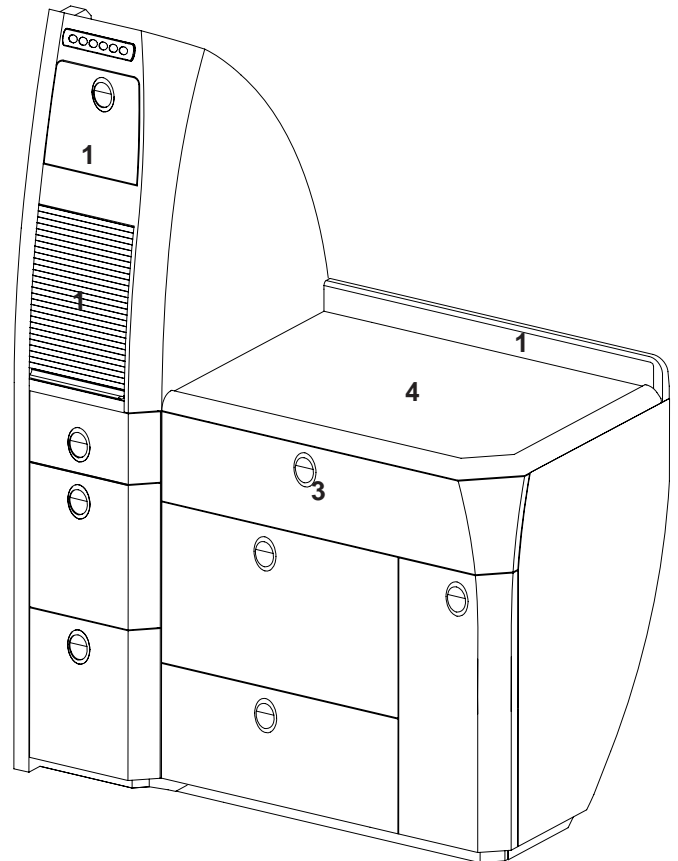
D.02 MAIN CABIN - REFRESHMENT CENTER

RH Fwd Slimline Refreshment Center (Non-Standard)

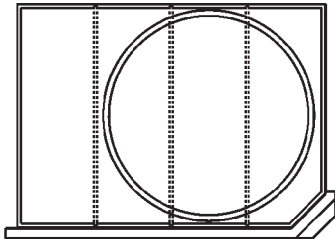
- Aft Half Of Cabinet To Be Interchangeable With RH Fwd Belted Side Facing Seat

FINISHES

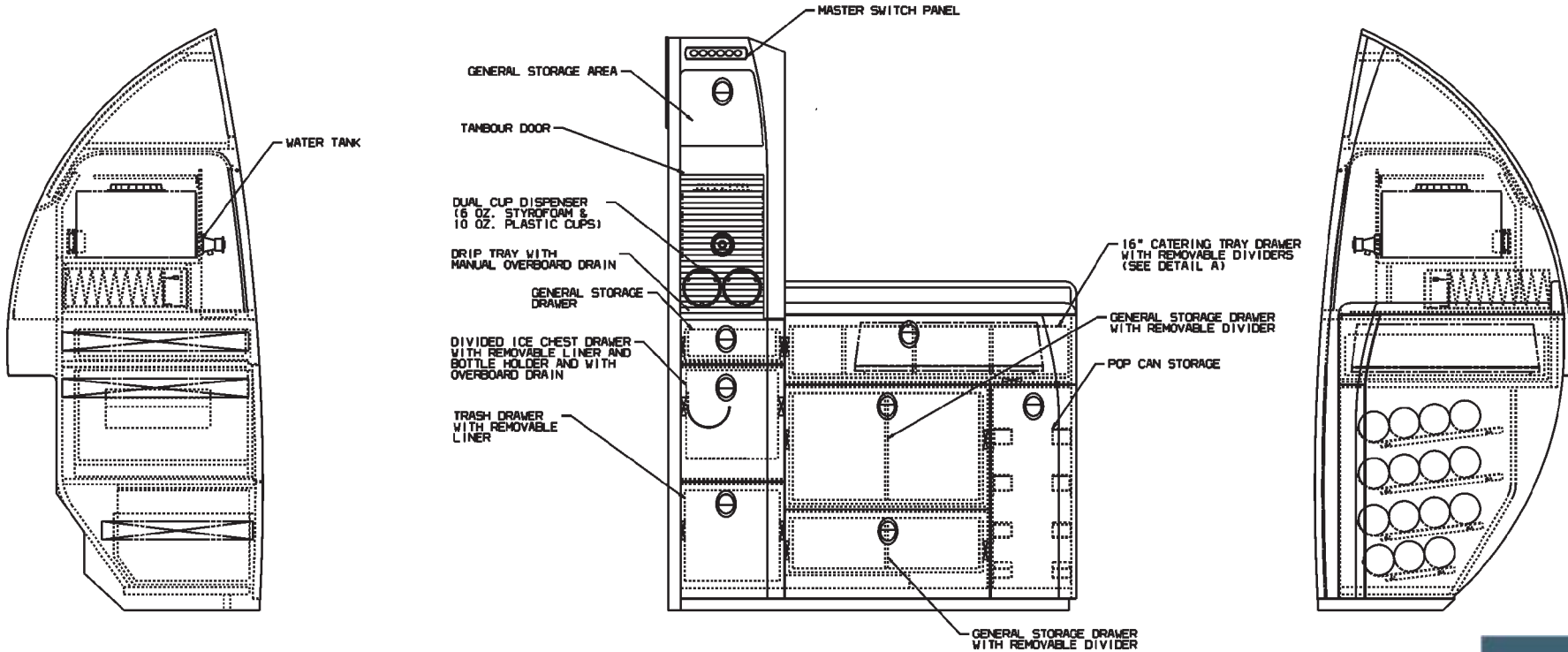
1. Carl Booth, High Gloss Wood Veneer, WS-529, Birdseye Maple
 - Cabinetry
2. Wilsonart, Matte Laminate, D381-60, Fashion Gray
 - Cabinetry Interior Compartments (Not Shown)
3. Brushed Aluminum
 - Hardware Finish
4. Carl Booth, High Gloss Wood Veneer, WS-529, Birdseye Maple
 - Work Surface



**D.02 MAIN CABIN -
REFRESHMENT CENTER**



DETAIL A

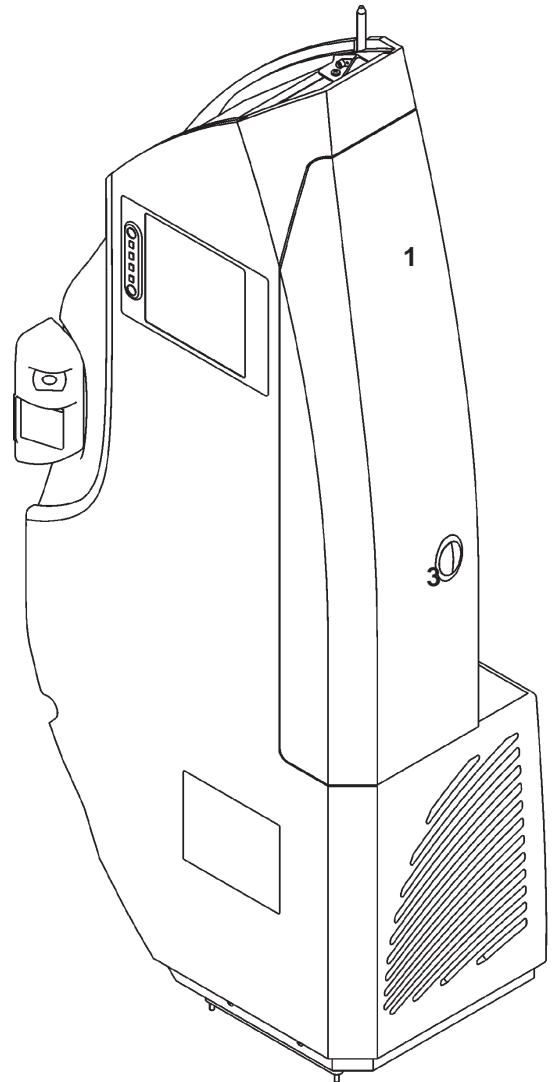


D.03 MAIN CABIN - STORAGE

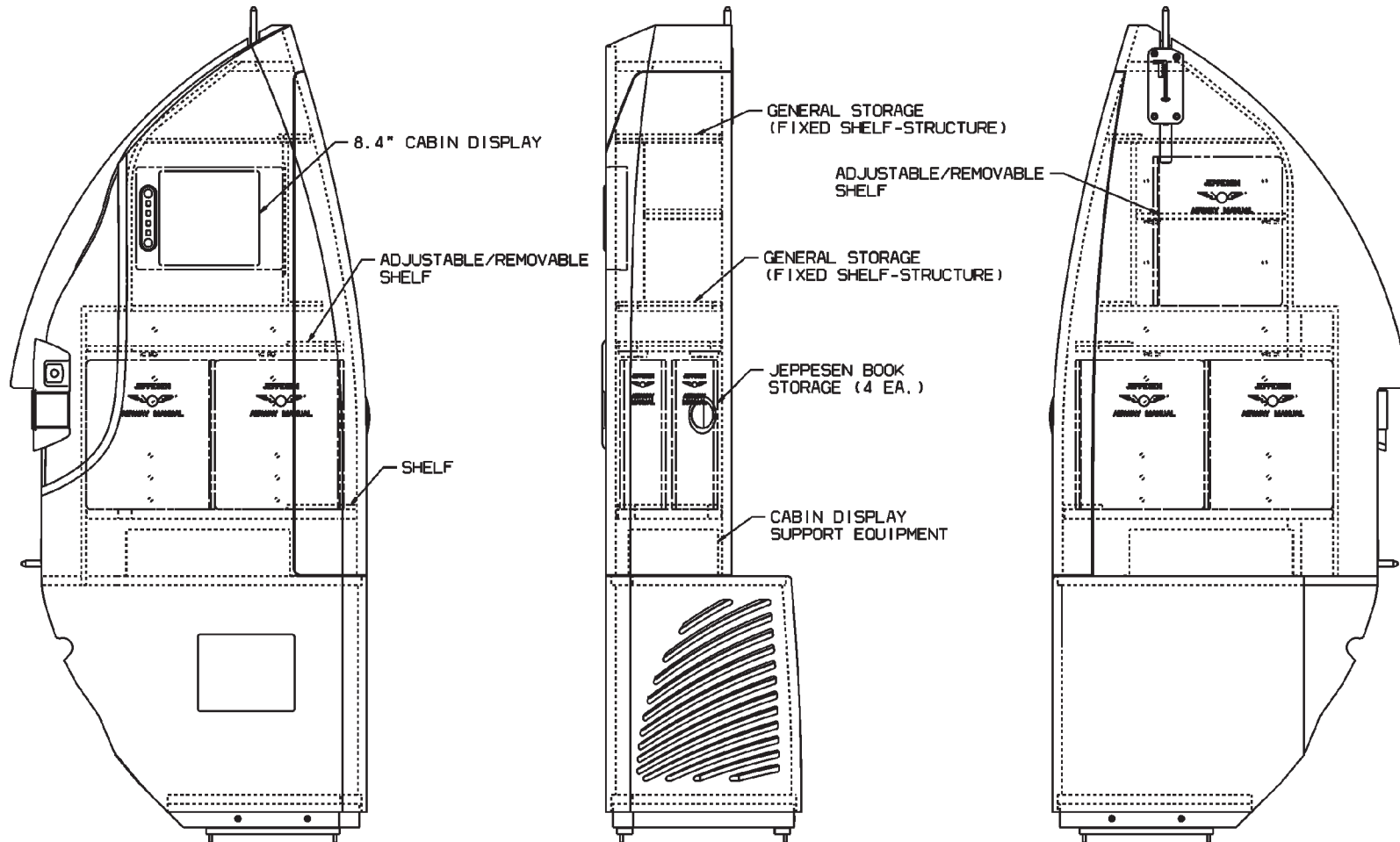
LH Fwd Cabinet (Non-Standard)
- Entertainment

FINISHES

1. Carl Booth, High Gloss Wood Veneer, WS-529, Birdseye Maple
- Cabinetry
2. Wilsonart, Matte Laminate, D381-60, Fashion Gray
- Cabinetry Interior Compartments (Not Shown)
3. Brushed Aluminum
- Hardware Finish



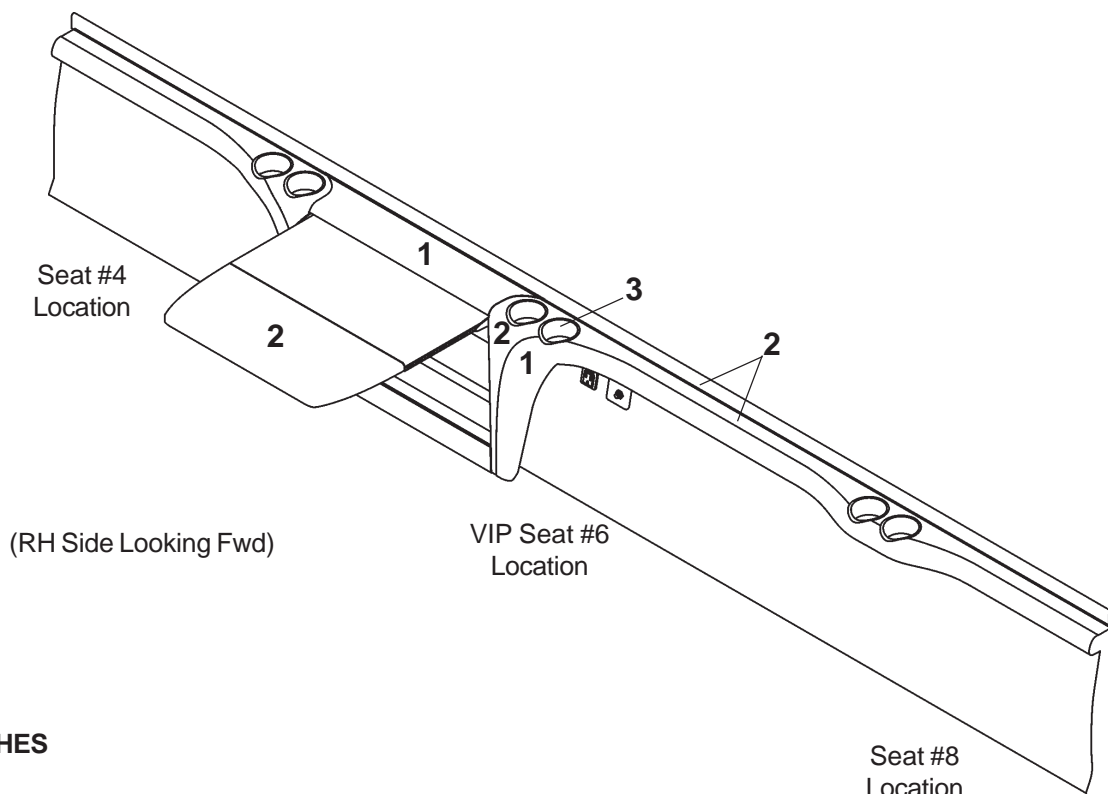
D.03 MAIN CABIN - STORAGE



D.04 MAIN CABIN - SIDELEDGES / TABLES

LH / RH Sideledge

- Leather Accent
- Stowable Executive Tables (2 Ea.) With Cabinetry Table Top Insert



FINISHES

1. (CDC) Townsend Leather, Citation, CS-FG-609-04CT, Fog
 - Sideedge Accent
 - Table Front (Not Shown)
2. Carl Booth, High Gloss Wood Veneer, WS-529, Birdseye Maple
 - Sideedge / Table Wing
 - Backsplash
 - Table Top Insert
3. Brushed Aluminum
 - Hardware Finish

D.05 MAIN CABIN - ADDITIONAL FURNISHINGS

Manually Operated, Pleated Fabric Window Shades

PSU Indirect Lighting

Dropped Aisle Accent Lighting

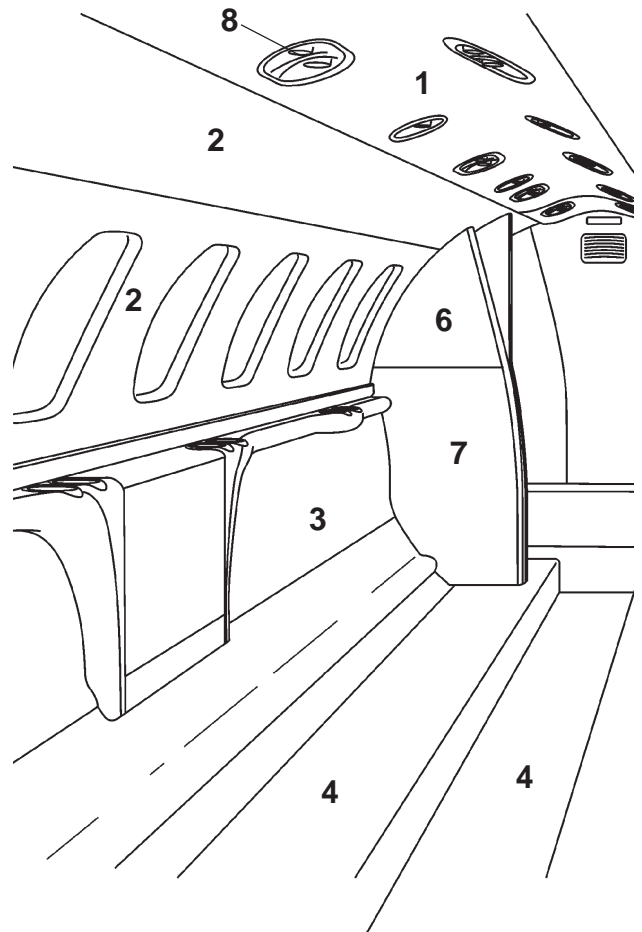
Chime Unit

Cabin Fire Extinguisher On Fwd Side Of LH
Aft Divider (Floor)

Airstair Entry Step (Non-Standard)

FINISHES

1. Tapis, Tapisuede, 0969, Silver Cloud
- Headliner / PSU
2. Tapis, Ultraleather HP, 5668, Silver Pearl
- Window Valance Panels
- Window Reveal
3. (CDC) Townsend Leather, Citation, CS-FG-609-04CT, Fog
- Sidewall
4. Kalogridis, Cut Pile, CVCP-1153, Shale
- Carpet
5. Duette, F780865, Orchid Gray
- Window Shades (Not Shown)
6. Mirror, Chrome
- LH/RH Aft Dividers (Fwd Side) (Upper Area)
7. Carl Booth, High Gloss Wood Veneer, WS-529, Birdseye Maple
- LH/RH Aft Dividers (Fwd Side) (Lower Area)
8. Brushed Aluminum
- Hardware Finish



E.01 AFT CABIN - TOILET / CLOSURE

LH Toilet (Non-Standard)

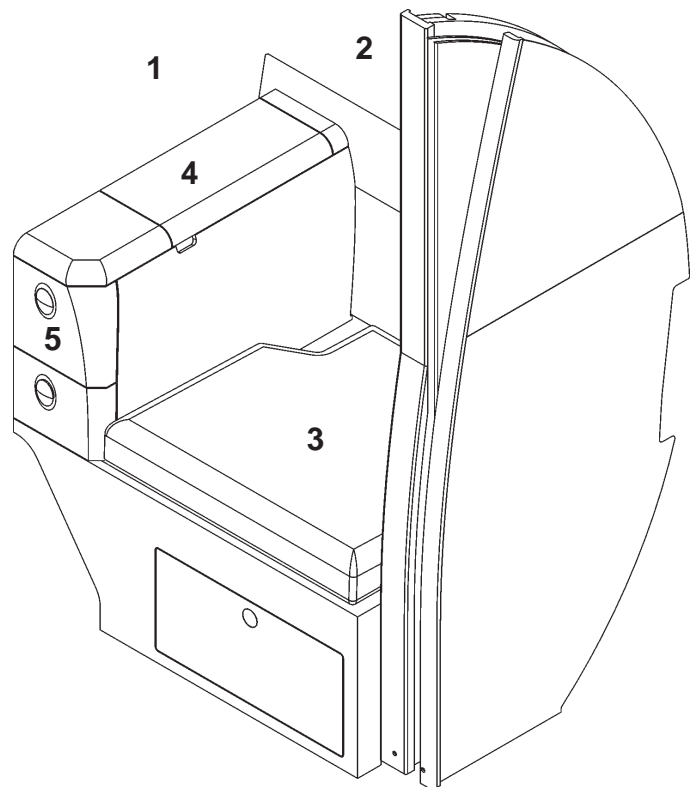
- Belted, Flushing Toilet
- Overwater Life Vest / Relief Tube (Located Under Armrest Lid)
- Toilet Paper Drawer (Top Drawer)
- General Storage Drawer (Bottom Drawer)
- Generic Tailoring
- Restraint System

Center Aft Coat Rod

Cabin Dividers With Sliding Doors

FINISHES

1. (CDC) DesignTex, Elliptic, 5314-999
 - Aft Bulkhead
2. Tapis, Ultraleather HP, 5668, Silver Pearl
 - Aft Valance Panels
 - Aft Reveal Panels
3. (CDC) Townsend Leather, Citation, CS-CL-605-04CT, Cloud Gray
 - LH / RH Aft Divider (Aft Side) (Not Shown)
 - Toilet Seat
4. Carl Booth, High Gloss Wood Veneer, WS-529, Birdseye Maple
 - Cabinetry
 - Divider Doors (Fwd & Aft Sides) (Not Shown)
5. Brushed Aluminum
 - Hardware Finish
6. Wilsonart, Matte Laminate, D381-60, Fashion Gray
 - Cabinetry Interior Compartments (Not Shown)
7. Polished Chrome
 - Restraint Hardware Finish (Not Shown)



F.01 MISCELLANEOUS

Tailcone Baggage Compartment Carpet (Floor, Walls, And Ceiling)

G.01 LOOSE EQUIPMENT

Replacement Threshold Carpet Assembly (1 Ea.)

Spare Center Aisle Carpet Assembly (1 Ea.)

Foldable Threshold Carpet Assembly (1 Ea.)

First Aid Kit (1 Ea.)

Flashlights (2 Ea.)

Passenger Seat Headrest Slipcover Pillows (6 Ea.)

Leather Cleaning Kit (1 Ea.)

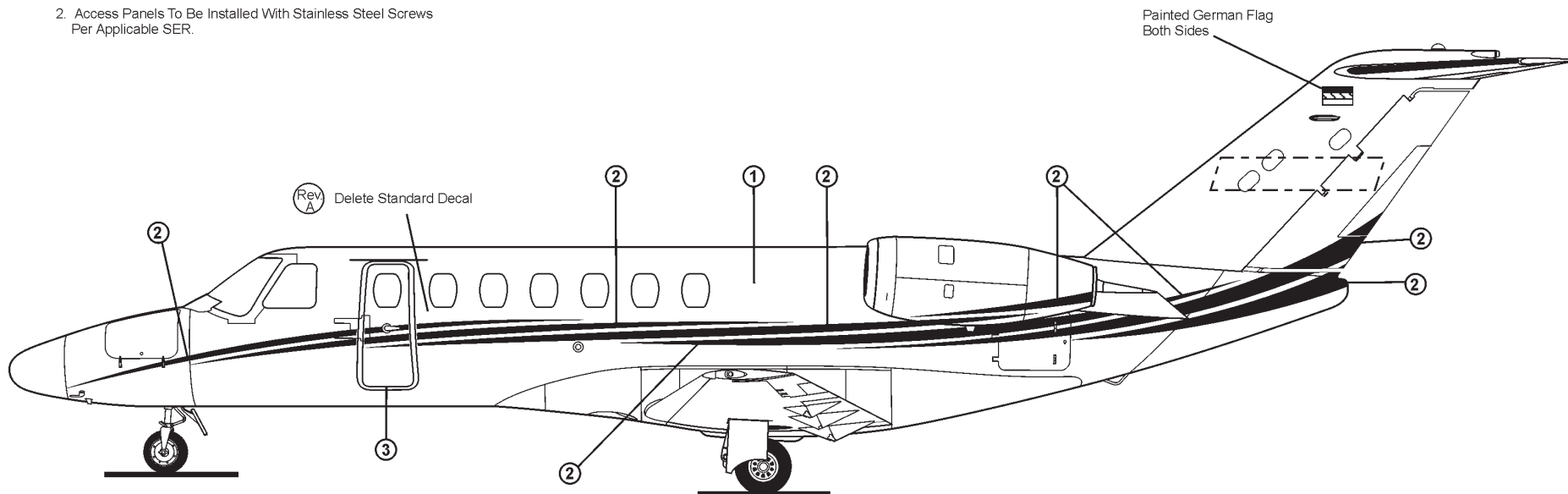
Interchangeable RH Fwd Side Facing Seat (1 Ea.) (Non-Standard)

Remote Control To Operate AvVisor Plus (1 Ea.) (Non-Standard)

Rev. A

NOTE:

1. Nose And Main Landing Gear (Except Brake Housing), Struts And Wheels To Be Painted Standard White.
2. Access Panels To Be Installed With Stainless Steel Screws Per Applicable SER.



**CITATION
CJ3**

UNIT NUMBER: 525B-0169

REGISTRATION NUMBER:	DATE: 12/01/2006		PAINT CODE	COLOR
LOCATION: Tail	DRAWN BY: D. Kinser	1	AHS-G-16014	Marathon White
SIZE: 12"		2	P1251	Phantom Gray Metallic
STYLE: 15 Degree Slant	EMERGENCY DOOR MARKINGS:	3	P1186	Silver Metallic
COLOR: Phantom Gray with Silver shadow	COLOR: Silver Metallic	4		
		5		
	Exterior per rendering #1	6		
	Same Exterior as 525B-0119	7		

